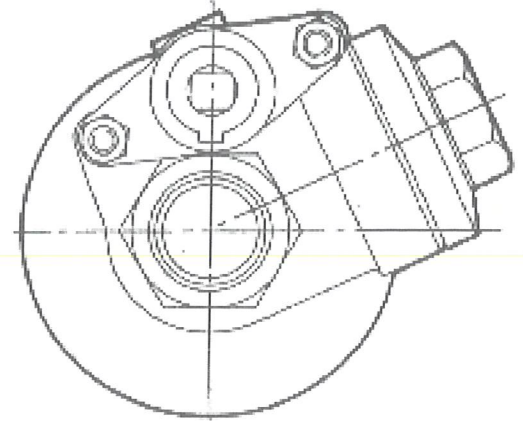
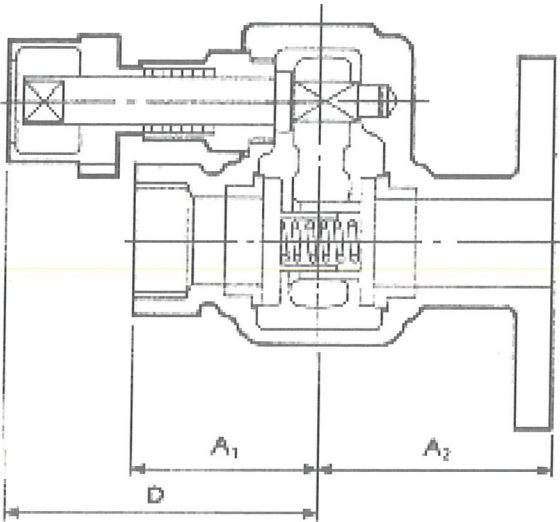


Parallel Slide Blowdown Valve (Link Type) Class 250
Fig. 732LG


COMPONENT	MATERIAL
BODY	BRONZE - CC491K (LG2)
BONNET	BRONZE - CC491K (LG2)
SEATS	NICKEL ALLOY
DISCS	NICKEL ALLOY
STEM	MANG BR
LOCKING GLAND	BRONZE

Technical Description of Standard Valves

PRESSURE TEMPERATURE RATINGS

TEMP. °C		WORKING PRESSURE BAR
-10	120	40.0
	150	38.5
	170	35.5
	180	34.0
	186	32.8
	198	30.4
	200	30.0
	220	25.5
	250	19.5
	260	17.5

Cast bronze body and bonnet.

Valve operated through a quarter turn of a removable box key.

Box key Fig. 732K25/32 can be supplied as an extra.

One end flanged to ANSI, BS, or European standards or screwed to customer's order, other end screwed to customer's order.

SIZE		A1		A2		D		WEIGHT kg
mm	ins	mm	ins	mm	ins	mm	ins	
15	1/2	41	1 5/8	44	1 3/4	76	3	4
20	3/4	46	1 13/16	51	2	83	3 1/4	4
25	1	57	2 1/4	64	2 1/2	105	4 1/8	5
32	1 1/4	67	2 5/8	83	3 1/4	114	4 1/2	7
40	1 1/2	68	2 11/16	92	3 5/8	124	4 7/8	7
50	2	83	3 1/4	108	4 1/4	137	5 3/8	11